

AFFIDAVIT OF WORK COMPLETED

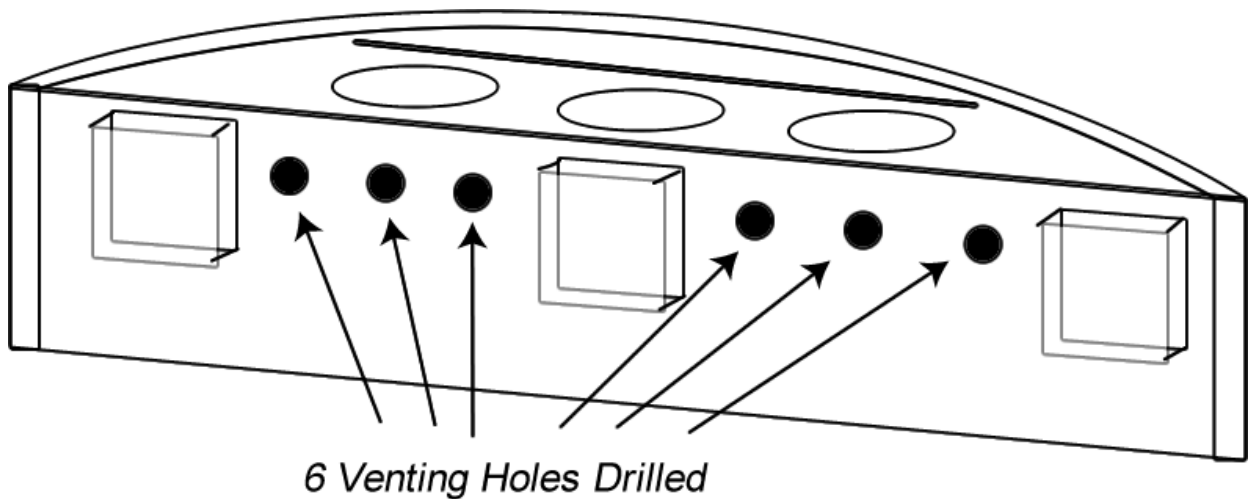
Contractor Instructions: Complete the information requested below. **Be sure to include the name, address, and signature of contractor who performed the work.**
 Then return this form by Fax or mail to: Bluworld HOMEelements 635 W. Michigan St Orlando, FL 32805

Client Name :		
Address:		
City	State	Zip
Phone	Alt Phone:	

I CERTIFY to the best of my knowledge and belief that all work has been performed and is in accordance with the detailed drawing below by Bluword/Nu-Flame, acting by and through its service contractor, "Handyman Matters" for the above referenced Client.

Client Name: _____ Client Signature: _____
 Please Print

Date: _____



Contractor: _____ Contractor Signature: _____
 Please Print



You will need:

- Soft mat or towel for work area
- 4.5 metric Allen Wrench
- Small Phillips screw driver
- Corded or Cordless Power Drill
- 1/2" metal drill bit
- Hole Template

Contractor Directions:

Carefully remove the glass and the 3 stainless steel burner cups from the fireplace. Place in a safe area while the work is being completed.

NOTE: There may still be fuel inside the burners keep away from open flames. Do not place directly on a wooden surface as the fuel may mar the finish.

Clear a designated work area on a table or the floor with permission of the home owner. Cover your work area with a cloth, towel, blanket or mat to protect both the area and the fireplace from damage or scratches.

There are two set screws on the bottom of the fireplace under the black metal backer. Using a Phillips screw driver only unscrew and set aside. You may now remove the fireplace from the wall. Grabbing either side of the rectangular backer pull the fireplace up to disengage the wall bracket then remove from the wall.

Carefully stand the unit up on your protected work area. Using a 4.5 metric Allen wrench remove the 6 Allen screws that connect the base to the back, and set aside. Lay the backer down in a safe area.

Take the template and as instructed fold along the dotted lines. Once folded the template will fit perfectly between 2 standoffs that enclose the Allen screw holes on the back of the basin. Take extra care to make certain you do not scratch or damage the stainless steel front of the fireplace. You will only be drilling in the back where the holes will not be seen.

Line up the template top with the top of the base between two standoffs and mark the placement of the holes. Using the template again mark the hole placement at the other standoff. Using a 1/2" metal drill bit drill the 6 required vent holes. DO NOT lay the base on the curved decorative stainless steel face to drill the holes, keep the base flat on the work area with the burner cup holes facing up as shown in the diagram below.

You should have 6 holes matching the template alignment in the diagram below. Deburr the drilled holes to remove loose metal shards and remove any shards from inside the base through the cup holes. Be careful when cleaning up and disposing the metal shards as they will easily scratch fine surfaces of furniture and floors. Once the area is clean show the vent holes to the Client before re-attaching the base to the backer. The client must sign the affidavit form so be certain to show them the completed holes.

Connect the base to the backer with the 6 Allen screws. Carefully mount the fireplace back on the bracket making certain it is well seated and fully engaged on the bracket. The side bracket tabs will rest just under the backer. Line up these tabs with the set screw holes. Screw in the 2 set screws using a Phillips screw driver only. Using a clean soft cloth or paper towel remove any finger prints. Replace the burner cups and the glass.

Have the homeowner sign the affidavit. This signed copy must be returned to Bluworld.

